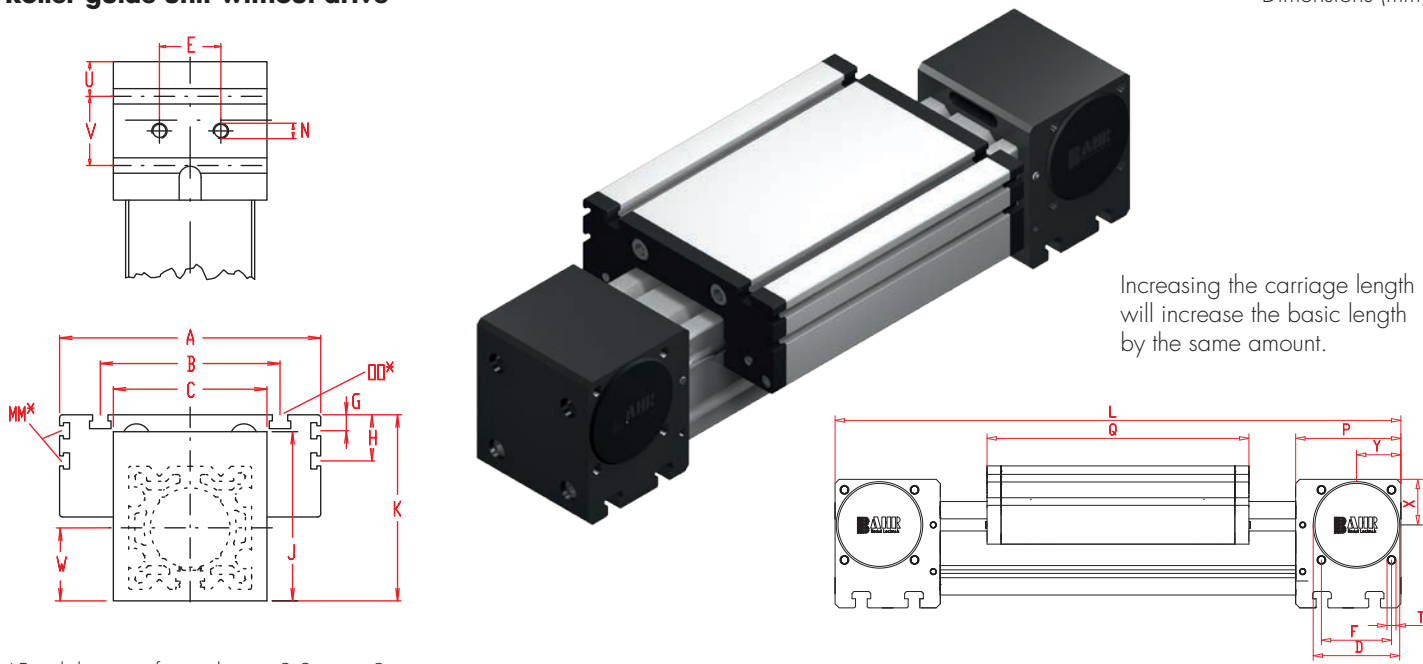


# Positioning system ELRZ 30, 40, 60, 60S, 80, 80S, 100, 125

Roller guide unit without drive

Dimensions (mm)

2.1



Increasing the carriage length will increase the basic length by the same amount.

\*For slide nuts refer to chapter 2.2 page 2

Size	Basic length L	A	B	C	D	E	F	G	H	J	K	MM for	N	OO for	P	Q	T	U	V	W	X	Y	Basic weight	Weight per 100 mm
ELRZ 30	158	70	56	42	28	13	25	-	-	44	47	-	M 6	M 6	36	82	M 4	10	16	21	16	16	0,6 kg	0,13 kg
ELRZ 40	225	100	66	58	37	18	32	-	-	58	64	-	M 6	M 6	49	122	M 5	12,5	24	29	20,5	20,5	1,2 kg	0,23 kg
ELRZ 60	290	144	96	80	47	30	42	-	-	82	90	-	M 8	M 8	59	168	M 6	15	30	41	27	26	3,4 kg	0,61 kg
ELRZ 60S	315	170	108	80	47	30	42	-	-	82	94	-	M 8	M 8	59	194	M 6	15	30	41	27	26	4,4 kg	0,61 kg
ELRZ 80	375	170	117	100	68	40	60	10	30	110	121	M 6	M 10	M 10	90	194	M 8	22,5	45	51	39	38	6,7 kg	0,90 kg
ELRZ 80S	395	190	126	100	68	40	60	12,5	30	110	122	M 6	M 10	M 8	90	214	M 8	22,5	45	51	39	38	7,7 kg	0,90 kg
ELRZ 100	530	230	155	130	90	50	80	-	29	135	154	M 10	M 12	M 10	110	300	M 10	23	64	65	50	50	17,5 kg	1,50 kg
ELRZ 125	625	295	200	160	110	60	100	-	30	167	191	M 10	M 12	M 12	130	365	M 12	38	50	82	60	60	28,3 kg	2,05 kg

**0 Choice of guide body profile:**

- (0) Standard (2) corrosion-protected guide rods and screws
- (4) expanded corrosion-protected version (depending on the availability of components)

**0 Choice of carriages:**



Size	Version 1	
	Q	L
30	94	170
40	138	241
60	184	306
60S	214	335
80	210	391
80S	234	415
100	316	546
125	389	649

**Application:**

This unit can be used as a load-carrying linear slide, or it may be fitted with a suitable pneumatic drive.

**1500** Basic length + stroke = total length

**ELRZ 40 0 0 0 0 0 0 0 0 1500**

Pos. 1 2 3 4 5 6 7

For combination kits and connecting elements refer to chapter 2.2

Sample ordering code:

ELRZ 40, Non driven system, standard body profile, standard carriage, 1275 mm stroke